



Model: DLJ-201

Data

Type: Semi-hermetic piston compressors

Producer: Copeland

Series: DL

Model: DLJ-201

Technical data

Cylinder count:	2
Displacement [m ³ /h]:	14,5
Weight [kg]:	84
Oil charge [dm ³]:	2,3
Max. operating current [A]:	6
Locked rotor current [A]:	37,6
Power supply [V/~/Hz]:	380-420V/3/50Hz

Connections

	<u>milimeters</u>	<u>inches</u>
Suction line:		7/8"
Discharge line:		5/8"

R22

Cooling capacity [kW]

t_c \ t_e	-50	-45	-40	-35	-30	-25	-20
25	0.44	0.86	1.49	2.34	3.38	4.64	6.11
30	0.34	0.71	1.28	2.05	3.04	4.23	5.62
35	0.26	0.57	1.07	1.79	2.70	3.82	5.15
40	0.20	0.44	0.89	1.53	2.38	3.43	4.68
45	-	0.34	0.72	1.29	2.07	3.04	4.22
50	-	0.25	0.56	1.07	1.77	2.67	3.77
55	-	-	0.42	0.86	1.49	2.31	3.33

Power input [kW]

t_c \ t_e	-50	-45	-40	-35	-30	-25	-20
25	0.97	1.15	1.36	1.58	1.80	2.01	2.20
30	0.94	1.13	1.35	1.60	1.85	2.09	2.32
35	0.90	1.10	1.34	1.60	1.88	2.15	2.42
40	0.86	1.07	1.32	1.60	1.90	2.21	2.50
45	-	1.03	1.30	1.59	1.91	2.25	2.58
50	-	0.99	1.26	1.57	1.91	2.27	2.63
55	-	-	1.22	1.54	1.90	2.28	2.67

Current [A]

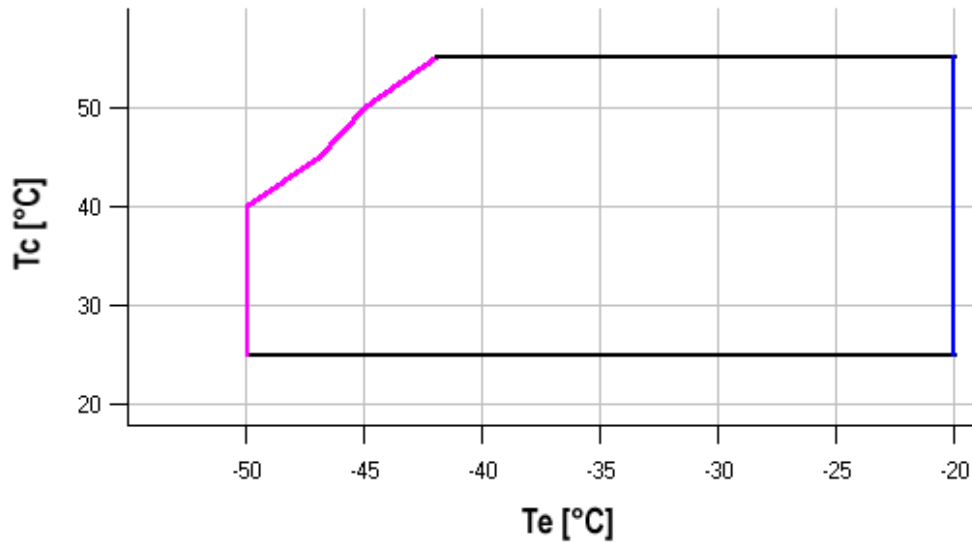
$t_c \setminus t_e$	-50	-45	-40	-35	-30	-25	-20
25	3.46	3.58	3.74	3.92	4.11	4.31	4.52
30	3.44	3.56	3.73	3.93	4.15	4.40	4.65
35	3.42	3.54	3.72	3.93	4.19	4.47	4.77
40	3.40	3.52	3.70	3.93	4.21	4.53	4.87
45	-	3.50	3.68	3.92	4.22	4.57	4.96
50	-	3.47	3.65	3.91	4.22	4.60	5.03
55	-	-	3.62	3.88	4.21	4.62	5.08

Mass flow [kg/s]

$t_c \setminus t_e$	-50	-45	-40	-35	-30	-25	-20
25	9.82	19.15	32.74	50.42	72.01	97.36	126.29
30	7.96	16.30	29.04	46.03	67.09	92.05	120.74
35	6.40	13.65	25.47	41.67	62.10	86.58	114.96
40	5.13	11.20	22.00	37.33	57.05	80.97	108.93
45	-	8.94	18.62	33.00	51.91	75.18	102.64
50	-	6.84	15.32	28.66	46.68	69.21	96.08
55	-	-	12.09	24.30	41.34	63.04	89.24

C.O.P. [W/W]

$t_c \setminus t_e$	-50	-45	-40	-35	-30	-25	-20
25	0.45	0.75	1.10	1.48	1.88	2.31	2.78
30	0.36	0.62	0.94	1.29	1.65	2.02	2.43
35	0.29	0.51	0.80	1.11	1.44	1.77	2.13
40	0.23	0.41	0.67	0.96	1.25	1.55	1.87
45	-	0.33	0.55	0.81	1.08	1.36	1.64
50	-	0.25	0.44	0.68	0.93	1.18	1.43
55	-	-	0.35	0.56	0.78	1.01	1.25

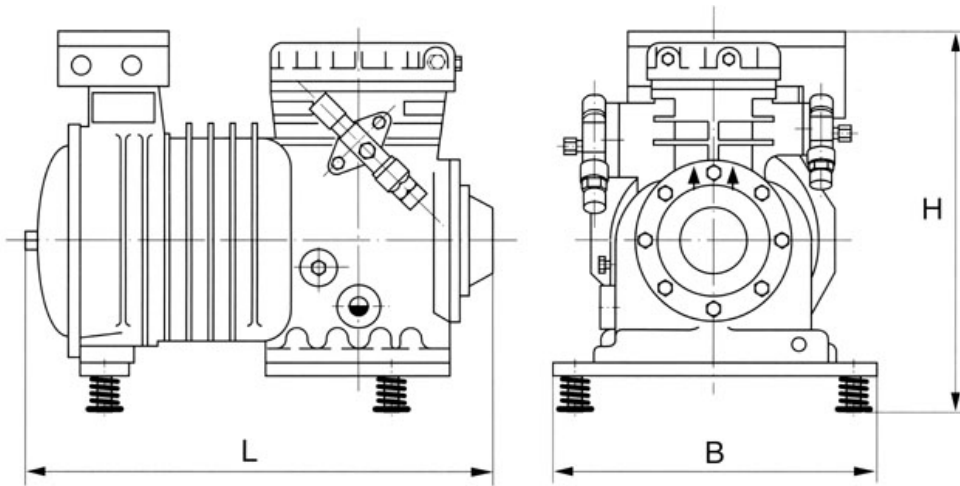
Application range


- Maximum evaporating temperature
- 25°C suction gas return + additional cooling

Operating conditions: ISO; subcooling: 0 K, suction superheat: 10 K, return gas temperature: -

t_c - Condensing temperature [°C]

t_e - Evaporating temperature [°C]



L	460 mm
B	330 mm
H	385 mm

